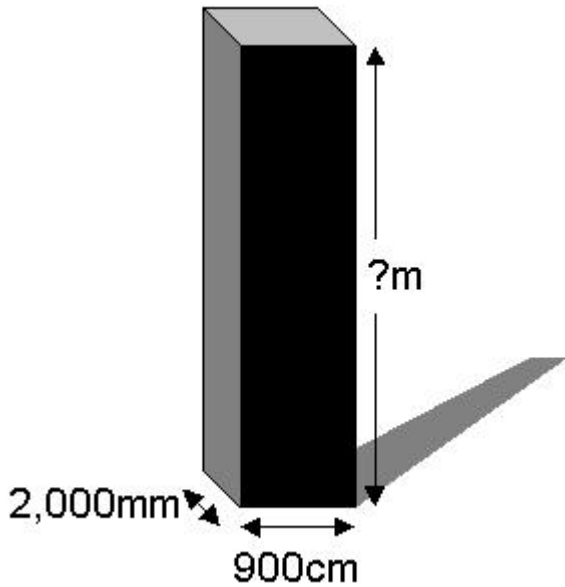


CREATIVE PUZZLES

By Lloyd King

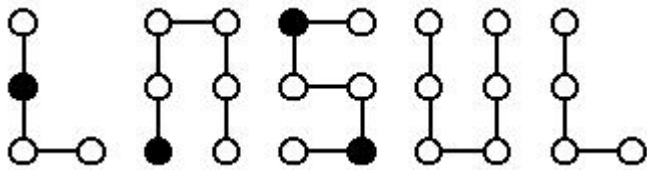
1 MONOLITH

This mysterious monolith was recently discovered on the planet Mars. How tall is it?



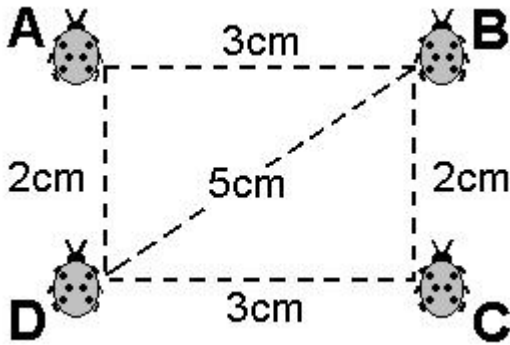
2 LETTER SEQUENCE

Which other circle should be black to complete the sequence below?



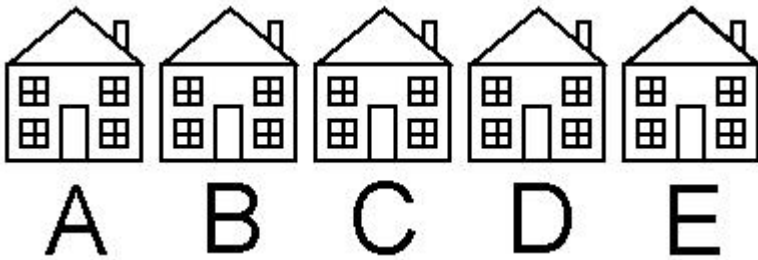
3 A DIFFERENT SLANT

A, B, C and D are four sleeping ladybugs on a perfectly flat tabletop. What is the direct distance between ladybugs A and C?



4 HOME ALONE

Which home below is incomplete?



5 TRENDSETTER

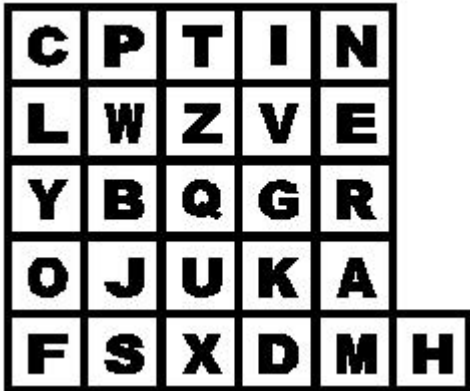
What six-letter word is missing from this sequence?

- DIRECT
- ROLE
- OCCIDENTAL
- DARE
- ??????
- SHADOW
- AMUSED

6

ALPHABET TICKLE

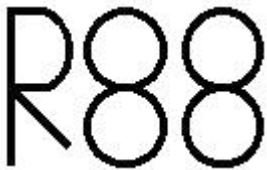
Take away one of the letters in this grid and yet still leave all 26 letters of the alphabet.



7

THE MAGIC WORD

After hours of searching the castle you eventually find the mysterious Room 88 at the end of a long gloomy corridor. Appropriately enough, it has "R88" on it. You try to open the door, but it is locked. Suddenly a ghostly voice from inside murmurs: "Say the magic word and the door will open." What word should you say?



8

THE SAUCY SORCERER

One day a saucy sorcerer winks at a witch. She immediately pays him back by turning him into a toad. Can you take away six of the seven shapes below to leave a sort of toad?



9

GIVE ME FIVE!

5, 10, 15, 20, 25, 30, 35, ?

Can you find the number below, which comes next in the above series?

6, 15, 18, 20, 25.

10

DOWN PAYMENT

A wizard pops into his local magic store to buy a new pet toad. Unfortunately, he only has £2 on him and the toad costs quite a bit more than this. He therefore asks the shopkeeper if he can pay £1 now and the rest the following week. The kind shopkeeper agrees to this and the wizard leaves the store happy with £1 in his pocket and a toad. How much does the toad cost?